



Original Instruction manual

Multipurpose hoe CHAMÄLEON

Manufacturer:
HMF Hermeler Maschinenbau GmbH
Dipl. Wirt. Ing. Thomas Hermeler
Lohmannstr.4
D - 48336 Sassenberg-Füchtorf
Phone:0049 (0) 54 26 53 84
Fax: 0049 (0) 54 26 53 85
e-mail: verkauf@hmf-hermeler.de
Website: www.hmf-hermeler.de

Table of contents

	Page
1. Introduction	3
2. Content	3
3. General remarks	3
3.1 Special attention	3
3.2 Description of the type plate	4
4. Safety instructions	5
4.1 Safety and accident prevention regulations	8
4.2 Notes on road safety	8
5. Before commissioning	9
6. Working method	9
6.1 Create a winter dam	9
6.2 Dam up	9
6.3 Changing the disc direction	10
7. Notes on misuse of the machine	11
8. Volume level	11
9. Maintenance and care	11

1. Introduction

This instruction manual is valid for the machine CHAMÄLEON. It is made for the persons who work with this machine and gives you advices for the use, the adjusting and the operation of the machine CHAMÄLEON.

Make this instruction manual available to all persons who work with the machine. Texts and pictures are kept neutral as far as possible. Attention is drawn to differences by means of picture headings or text notes.

Manufacturer:
HMF Hermeler Maschinenbau GmbH
Lohmannstr. 4
D-48336 Sassenberg-Füchtorf
Phone: 0049 (0) 5426 5384
Fax: 0049 (0) 5426 5385
e-mail: verkauf@hmf-hermeler.de

2. Content

Read these instruction manual carefully and completely before working with the multi-purpose hoe. Follow the advice for the correct care and maintenance of your machine and you will achieve constant operational readiness and a long service life for your machine.

3. General remarks

3.1 Special attention

All people who would use, care or control the CHAMÄLEON have to read, comprehend and pay attention to the instructions of this instruction manual to avoid danger. Especially pay attention to the "Security and accident prevention instructions". The use of spare parts, accessories and additional devices which do not come original from HMF and are not checked and released from HMF, constructively given qualities of the HMF machine or her functional ability negatively change and thereby affect the active and/or passive safe driving as well as working security (accident protection), is not permitted.

For damages, in this respect by the use of Non-HMF-Original-Spare Parts, accessories and additional devices every liability is excluded from HMF.

Technical designations, measures and weights are non-binding. We reserve ourselves changes in the course of the technical development and mistakes. In front, behind, right and left is valid always in direction of the traffic.

3.2 Description of the type plate

The serial number of the machine, the type and the year of manufacture are stamped on the type plate. This type plate is normally located on the front right of the machine. Front, rear, right and left always apply in the direction of travel.

In the event of a spare parts order, please provide us with the following information:

1. Serial number
2. Type
3. Year of manufacture



4. Safety instructions

Please read and observe these operating instructions and the safety instructions before you start working with the machine.

Labelling of warnings and hazards

In these operating instructions we have marked all passages concerning your safety and the safety of the machine with the following symbols. Pass on all safety instructions to other users as well!



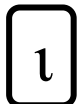
Danger!

Marking of instructions which, if not followed, pose a risk to the life and limb of the operator or his fellow human beings and measures to avoid the danger



Attention!

Marking of instructions which, if not followed, may cause damage to the machine and measures to avoid danger to the machine.



Note!

Marking of indications that enable a more effective and economical use of the machine






Environment!

Labelling of instructions which, if not followed, pose a risk to the environment.

There is an environmental hazard if environmentally hazardous substances (e.g. oils, foils, etc.) are not handled properly and/or disposed of. The warning and information signs attached to the machine provide important information for safe operation. Observance of this information is for your own safety.

In general:

- a) Strictly follow warning signs and information signs!
- b) Pass on all safety instructions to other users as well!
- c) Keep warning signs and information signs in good condition, replace if necessary!

	<p>Before commissioning, read the operating instructions and observe the safety instructions!</p> <p>For maintenance and repair work, switch off the engine and remove the ignition key.!</p>
	<p>When operating the power lift, do not stand in the lifting range stop!</p> <p>It is forbidden to stand between the tractor and the implement during operation.!</p>
	<p>Do not touch machine parts until they have come to a complete standstill..</p> <p>During operation and when the engine is running do not open or remove the guard. Never reach into the rotating parts.</p> <p>Do not stand near the rotating parts or touch moving machine parts! Wait until they have come to a complete standstill!</p>



There is a risk of crushing!



Caution! Danger from ejecting parts when the machine is running.

Keep a safe distance!



Do not stay within the swivel range of the implements!

4.1. Safety and accident prevention regulations

1. In addition to the information in this instruction manual, observe the general safety and accident prevention regulations.
2. When using public traffic routes, observe the respective regulations!
3. Before starting work, familiarise yourself with all the actuating devices and their function before starting work. It is too late to do this while driving!
4. Before starting the engine, make sure that no gear is engaged and that all guards are in place and in protective position.
5. Before starting, check the immediate area (children!). Ensure sufficient visibility. Sound the horn for safety!
6. The rider's clothing should be tight-fitting. Loose clothing should be avoided!
7. When mounting and dismounting the machine, it is forbidden to stand between the tractor and the machine while the diesel engine is running, as danger of crushing.
8. When hitching and unhitching the hydraulic connections, switch off the tractor's diesel engine. Switch off the diesel engine of the tractor.
9. Only mount and dismount the multi-purpose hoe on level, solid ground, and park it.

4.2. Notes on road safety

- The permissible axle loads of the tractor and the permissible tyre load capacity of the tractor must not be exceeded by the attachment of the multi-purpose hoe.
- When hitching to the tractor's three-point linkage, the lower links must be locked according to the tractor manufacturer in order to prevent the tractor-implement combination from rocking during road travel.
- The requirements and instructions of the information sheet for attachments from the road traffic regulations must be observed.
- Before driving on public roads, especially after a field operation, it is necessary to prevent dirt or adhering soil from falling onto the roads. In the event of the road is contaminated with dirt or soil, the danger area must be marked and marked and cleaned immediately.

5. Before commissioning

To take full advantage of your new machine, please read and follow this instruction manual before using your machine. Before using the machine, check that it has been delivered complete. Remove the packaging carefully and completely. Familiarise yourself with the technical instruments. Lubricate all grease nipples and grease all moving parts with grease or oil. Please always observe the safety instructions.

We must reject warranty claims resulting from improper handling!

6. Working method

6.1 Create a winter dam

- The narrowest point between the discs at the back should be approx. 50-55 cm.

Attention:

- Watch out for injury to the asparagus root!
- Adjust the height of the discs.

6.2 Dam up

- The narrowest point between the discs at the front should be approx. 40-45 cm.
- Turn the discs by approx. 180°.

Attention:

- Watch out for injury to the asparagus root!
- Adjust the height of the discs.
- Adjust support wheels to tractor track.
- Determine lower linkage on tractor.

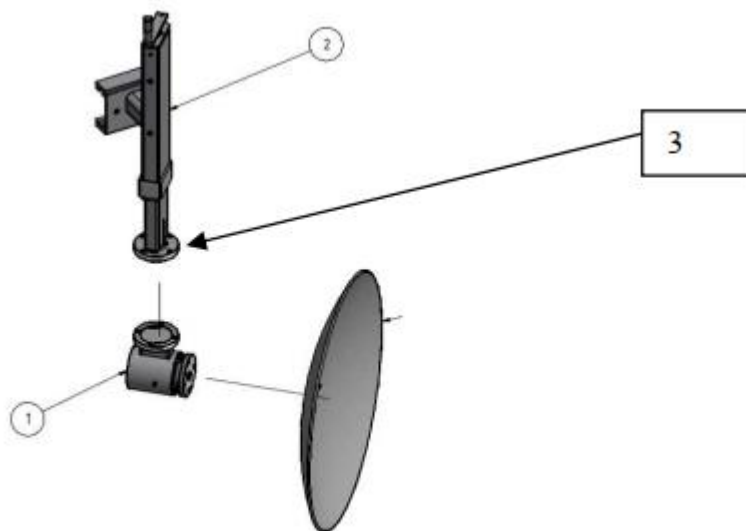




6.3 Changing the disc direction

To change the direction of the discs, loosen the 4 large screws on the top of the swivel joint (3). There is also another small screw and 3 holes for fine adjustment of the angle of the discs. This must also be loosened.

Then you can turn the discs very easily. Then retighten the small screw for fine adjustment of the angle and the 4 screws for fastening.



7. Notes on misuse of the machine

No persons may be carried on the machine.

8. Volume level

CHAMÄLEON multi-purpose hoe itself does not generate any significant noise. Noise is only emitted by the tractor.

9. Maintenance and care

All rotating parts must be lubricated regularly (every 20 operating hours).

As displaced lubricant can get into the feed, soil or groundwater during relubrication, we generally recommend the use of biodegradable lubricants!